

in-stock

Camlocks

weather resistant

FEATURES & BENEFITS:

- 5/8" or 7/8" diecast camlock, keyed alike or different
- Used for any outdoor application requiring resistance to water intrusion, salt, and exposure to freezing temperatures.
- Stainless steel dust shutter and internal o-ring prevents water penetration through the lock. Includes rubber gasket to provide water-tight seal under head of lock allowing no moisture to enter enclosure.
- Long lasting Chrome over double Nickel finish with Stainless steel capped lock head and face for superior weather resistance.
- 90°/180°, clockwise/ counter-clockwise cam rotation options.
- Supplied with selection of three cams, two stop plates, mounting nut, trim washer, rubber gasket and cam screw. Includes two rung keys.



Made of diecast zinc with a stainless steel spring-action internal dust shutter to prevent corrosion and freezing at the key-entry point. This construction also repels dirt, salt, and other contaminants that can destroy locks used outdoors. An internal "O" ring keeps water from entering the application and the single bitted/reversible keys can be inserted up or down. Manufactured to withstand 500 hours of salt spray. 7/8" version is NEMA 4 capable with the purchase of gasket p/n 9741. Available from Stock.

CCL
Security Products™

301 West Hintz Road
Wheeling, IL 60090
Telephone: 800.733.8588
Fax: 847.537.1881
www.cclsecurity.com
A Proud Union Company. (S.E.I.U.)


Illinois Lock Company
CCL Security Products
Divisions Of The Eastern Company

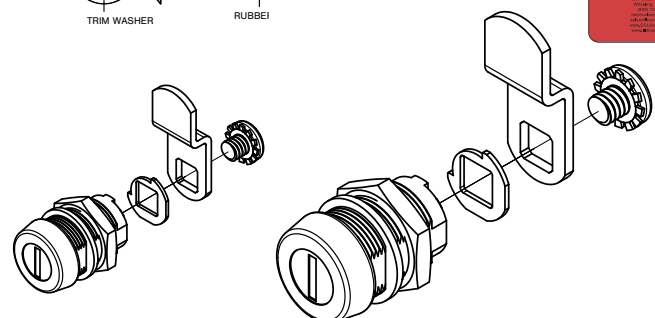
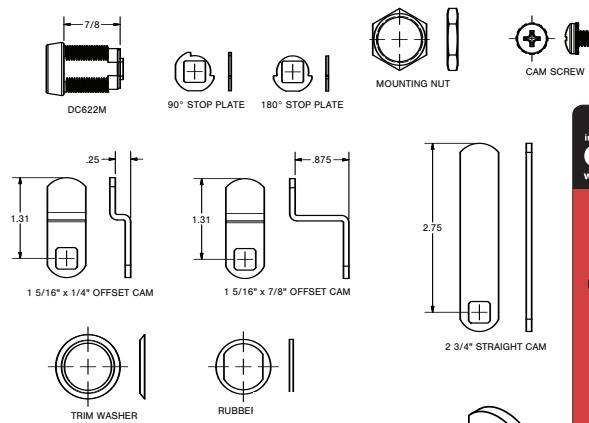
in-stock

Camlocks

weather resistant

FEATURES & BENEFITS:

- 5/8" or 7/8" diecast camlock, keyed alike or different
- Used for any outdoor application requiring resistance to water intrusion, salt, and exposure to freezing temperatures.
- Stainless steel dust shutter and internal o-ring prevents water penetration through the lock. Includes rubber gasket to provide water-tight seal under head of lock allowing no moisture to enter enclosure.
- Long lasting Chrome over double Nickel finish with Stainless steel capped lock head and face for superior weather resistance.
- 90°/180°, clockwise/ counter-clockwise cam rotation options.
- Supplied with selection of three cams, two stop plates, mounting nut, trim washer, rubber gasket and cam screw. Includes two rung keys.



MODEL #	LENGTH	INCLUDES	KEYING	LIST PRICE:
WRC-62204	7/8"	90 & 180 stop plate, 3 cams	Keyed Alike	\$7.99
WRC-62207	5/8"	90 & 180 stop plate, 3 cams	Keyed Alike	\$8.19
WRC-62214	7/8"	90 & 180 stop plate, 3 cams	Keyed Different	\$7.99
WRC-62217	5/8"	90 & 180 stop plate, 3 cams	Keyed Different	\$8.19



301 West Hintz Road
 Wheeling, IL 60090
 Telephone: 800.733.8588
 Fax: 847.537.1881
 www.cclsecurity.com
 A Proud Union Company. (S.E.I.U.)

Illinois Lock Company
CCL Security Products
 Divisions Of The Eastern Company